

Proximity Single Door Access Controller



RFL200 RFL100C/200C



RFL100C



RFL200/200C

Key Features

- Controller+RF Reader (125KHz, 10cm read range)
- 512 Card holders including one master card
- Standalone (RFL200) or Network Communication (Max.255) via RS485 (RFL100C/RFL200C)
- Power Fail Safe or Power Fail Secure locks Selectable
- Solid Epoxy potted (Weather proof)
- Interface controller required to control more than 16 units (RFL100C/200C)
- Direct control of door lock

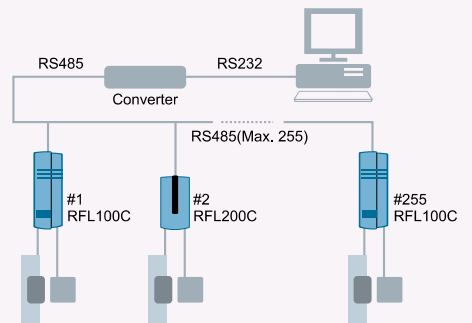
Interface Controller

- Interface controller for communication
- Max 8,000 event (RFL100C/RFL200C connection)
- Network Communication via RS422/RS485 (Max255)
- Event data safety mode in Electronic outage
- Required to control more than 16 units (RFL100C, RFL200C)

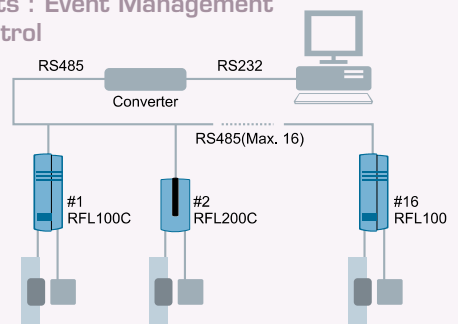
Comparison Table

RFL100C/200C	RS485 (3 types of systems available : Refer configurations on right side)
RFL200	Standalone

Lock Control only without event management (Max.255)



Up to 16 units : Event Management and Lock control



Over 16 units : Interface Controller Required, Event Management and Lock Control

