

TOUCH SENSE DOOR MOUNTED DEVICES

TOUCH SENSE BARS and HANDLES

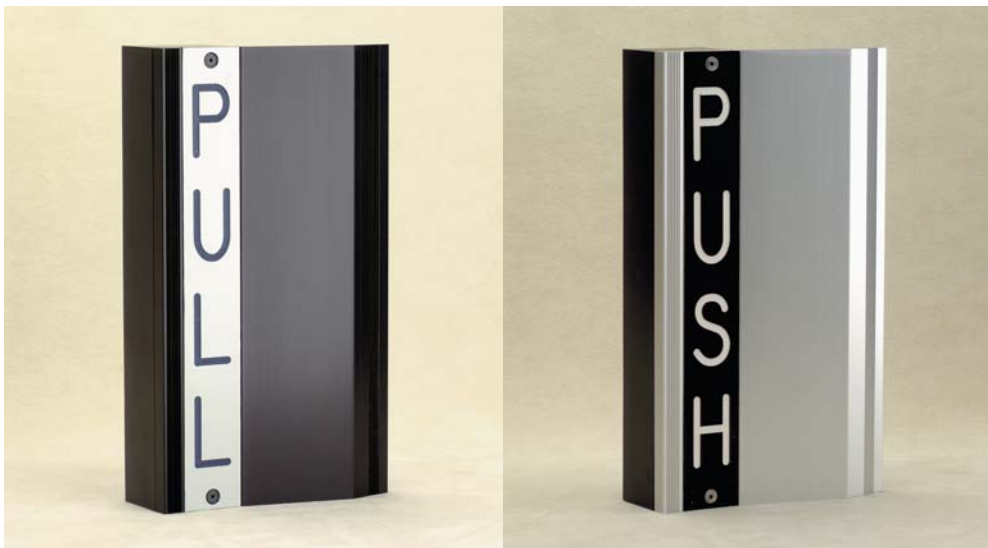


TOUCH SENSE BARS

TSB-3CL Clear Finish

TSB-3BK Black Finish

TOUCH SENSE HANDLES



*TSH-BK, Left
TSH-CL, Right*

TECHNOLOGY THAT SATISFIES CODE REQUIREMENTS

On magnetically locked, non fire-rated doors, most building codes require an exit device that does not require any special tools or knowledge. Securitron's patented Touch Sense Bar is the perfect device for this requirement. The simple act of touching the bar (even through gloves or clothing) trips an electronic sensor which immediately releases the lock.

The Touch Sense Bar is the ultimate in egress reliability and safety. Having no moving parts, it does not suffer mechanical wear and no pressure is required for use, which provides superior egress safety for frail or disabled persons.

The model TSH, Touch Sense Handle, is intended for use on inswinging doors or aluminum frame glass doors when a different style device is desired.

TOUCH SENSE DOOR MOUNTED DEVICES

TOUCH SENSE BARS and HANDLES



TOUCH SENSE BARS

TOUCH SENSE BAR APPLICATIONS

The Securitron TSB-3 Series Touch Sense Bar is for use on magnetically locked, non fire-rated doors. Touching the bar, even through gloves or clothing, trips an electronic sensor which immediately releases the lock. The TSB-3 Series Touch Sense Bar comes complete with fastener sets and can be installed on metal, aluminum, or wood frame doors of all types. Meets "no special tools or knowledge" code requirements.

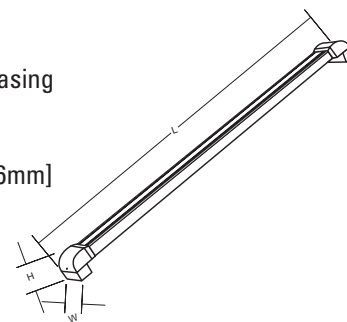
CURRENT DRAW and VOLTAGE

12 or 24 VDC 40mA at rest / 25mA releasing

DIMENSIONS

36", 42" or 48" x 2" x 3"

[863mm, 1066mm or 1219mm x 50mm x 76mm]



PRODUCT FEATURES

- 3 standard lengths: 36", 42" or 48"
- Can be field cut to accommodate non-standard openings up to 48" [1219mm]
- Activates a DPDT 2 Amp rated relay when touched (no mechanical movement) which will allow free egress or initiate the delay on an exit delay timer
- Backup push button
- A 16 ft. [4.8m] 22AWG 6 conductor cable and stainless steel armored door cord are included
- Operates on either 12 or 24VDC
- **UL Listed**

HOW TO ORDER

PART#	DESCRIPTION
TSB-3CL	Touch Sense Bar Clear Anodized 36"
TSB-3CL-42	Touch Sense Bar Clear Anodized 42"
TSB-3CL-48	Touch Sense Bar Clear Anodized 48"
TSB-3BK	Touch Sense Bar Black Anodized 36"
TSB-3BK-42	Touch Sense Bar Black Anodized 42"
TSB-3BK-48	Touch Sense Bar Black Anodized 48"



TSH-CL Clear Finish

TSH-BK Satin Black Finish

TOUCH SENSE HANDLE APPLICATIONS

Touch Sense Handles are sized to cover up existing mounting holes used for standard pulls on aluminum doors. It is employed to open inswinging doors or as an alternate push-open device for outswinging doors which provides a different look on aluminum frame glass doors. The Touch Sense Handle includes two legend plaques which state PULL or PUSH and which may be reversed to show a black or a silver finish.

CURRENT DRAW and VOLTAGE

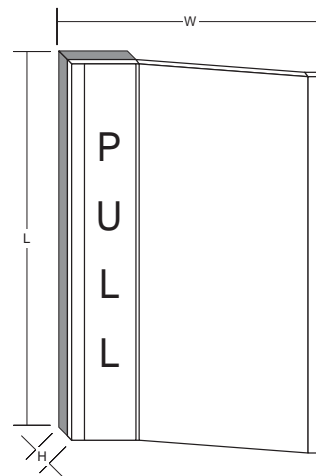
12 or 24 VDC

40mA at rest / 25mA releasing

DIMENSIONS

9" x 5" x 2 1/8"

[229mm x 127mm x 54mm]





PRODUCT FEATURES

- Replacement for any pull device on an inswing door
- Activates a DPDT 2 Amp rated relay when touched (no mechanical movement) which allows free egress
- Backup push button
- A16 ft. [4.8m] 22AWG 6 conductor cable and stainless steel armored door cord, included with the handle
- Operates on either 12 or 24 VDC
- **UL Listed**

HOW TO ORDER

PART#	DESCRIPTION
TSH-CL	Touch Sense Handle Clear Anodized
TSH-BK	Touch Sense Handle Black Anodized

TOUCH SENSE DOOR MOUNTED DEVICES HARDWARE

ITEM	APPLICATION USE	PART#	ORDERING DESCRIPTION
DUMMY TOUCH SENSE BAR 	Dummy Touch Sense Bar	DTSB-3CL DTSB-3CL-42 DTSB-3CL-48 DTSB-3BK DTSB-3BK-42 DTSB-3BK-48	Dummy Touch Sense Bar Clear Dummy Touch Sense Bar Clear 42" Dummy Touch Sense Bar Clear 48" Dummy Touch Sense Bar Black Dummy Touch Sense Bar Black 42" Dummy Touch Sense Bar Black 48"
DUMMY TOUCH SENSE HANDLE 	Dummy Touch Sense Handle	DTSH-CL DTSH-BK	Dummy Touch Sense Handle Clear Dummy Touch Sense Handle Black
DOOR CORD	Door cord with grey & black caps, 18" [458mm] or 36" [914mm] cord , 1/4" [7mm] diameter. Standard with TSB, but can also be purchased separately.	TSB-C TSB-CXL	Door Cord w/Gray & Black Caps 18" Door Cord w/Gray & Black Caps 36"
COVER PLATES	Cover plate for touch bar mounting. Set of 2, clear or black. Aids the retrofit installation of the Touch Bar on aluminum doors by covering up mounting holes used by a Jackson or Dor-o-Matic mechanical bar which may have been previously mounted.	TCP-CL TCP-BK	Cover plate Clear Cover plate Black
CABLE	16 ft. [4.8m] cable can be ordered separately, and comes standard with any Touch Sense Device.	CAB-6	16ft 6 Conductor Cable With Connector
MOUNTING BASE AND CAP	Replacement mounting base and cap for TSB series.	TSB-3BCA	Replacement Mounting Base and Cap

WWW.SECURITRON.COM



SECURITRON 1-800-MAGLOCK info@securitron.com

Now Available Online!

Whether your question is technical or application-based, Securitron now offers Frequently Asked Questions and their answers online!

With a click or your mouse, get answers to the most common questions Securitron techs encounter. Of course, our techs are happy to answer your questions over the phone as well, just call 1-800-MAGLOCK or 775-355-5625.

QUALITY
PRODUCTS
DISTRIBUTORS
MAGNAZINE
CALENDAR
CONTACT US
ASSA ABLOY
eACCESS

SECURITRON HOME

MAGNACARE LIFETIME REPLACEMENT WARRANTY

An ASSA ABLOY Group company

Quality | Products | Distributors | MagnaZine | Calendar | ASSA ABLOY | eAccess | Contact Us | Home
©Copyright 2001 Securitron Magnalock Corporation. All Rights Reserved.
Email comments and questions to marketing@securitron.com. View Privacy Policy

www.securitron.com features:

- Powerful search capability of our entire product line by name or by part number
- Links to ASSA ABLOY Group companies
- Links to Securitron's extensive distributor database
- Frequently Asked Questions
- Securitron trade show, class and activity calendar
- Acrobat files of brochures and installation instructions
- Product feature matrixes
- Product approvals and listings
- Standard wiring diagrams
- Downloadable Securitron Product Catalog
- Secure eAccess portal for account information