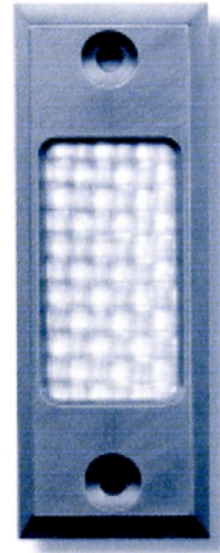


MS-4000 *Shooting Star*[™] Proximity Reader

Vandal Resistant Proximity Reader for High Crime Areas

- Bullet proof and flame resistant
- Designed for high crime areas where vandalism is a problem
- Virtually impossible to pry off a wall or mullion
- Perfect for inner city housing projects
- Field proven in the toughest environments



The *MS-4000 ShootingStar*[™] Proximity Reader is designed for areas where crime and vandalism are a constant threat to the access control system's card readers. The outside housing is made of stainless steel and is beveled such that it is nearly impossible to get sufficient leverage to pry it off a wall or mullion. The portion of the face of the reader that covers the electronics consists of a material that is many layers of interwoven fiberglass (UL 752 listed for bulletproof integrity). The reader can withstand 9mm bullets a "point-blank" firing range and will not be burned by common cigarette lighters, both which are typical sources of vandalism.

The *MS-4000* is typically used in applications where other types of readers (including proximity) have failed due to vandalism to the reader itself. Many applications do not lend themselves to concealment of a reader inside or behind a wall, so the reader must be exposed to the environment. Exposed readers traditionally have invited vandalism, resulting in higher cost to the building owner because of constant replacement, inconvenience and lack of security for users due to system down time. The *MS-4000* is field proven in its ability to function in open hostile environments.

ACCESS CARDS • ACCESS CONTROL SYSTEMS • CREDIT CARDS
EMBOSSING • I.D. BADGES • MEMBERSHIP CARDS



25010 Avenue Tibbitts • Valencia, California 91355 • (661)294-0796 (800)7000-KEE • Fax (661)294-9562

DATA SHEET | MS-4000 *Shooting Star*[™] Proximity Reader
Vandal Resistant Proximity Reader for High Crime Areas

MS-4000 Shooting Star™ Proximity Reader

Vandal Resistant Proximity Reader for High Crime Areas

Specifications

Size

5.25 x 2.0 x 0.75 inches
(134 x 51 x 19mm)

Weight

15.4 oz. (431g)

Read Range*

Up to 2 inch (50mm)

Input Voltage**

+11-14 VDC

Current Draw

80 mA typical

Operating Temperature

-40° C to +65° C

LED Indicator

Not Applicable

Audio Tone

Not Available

Frequency

125 KHz excitation

Color

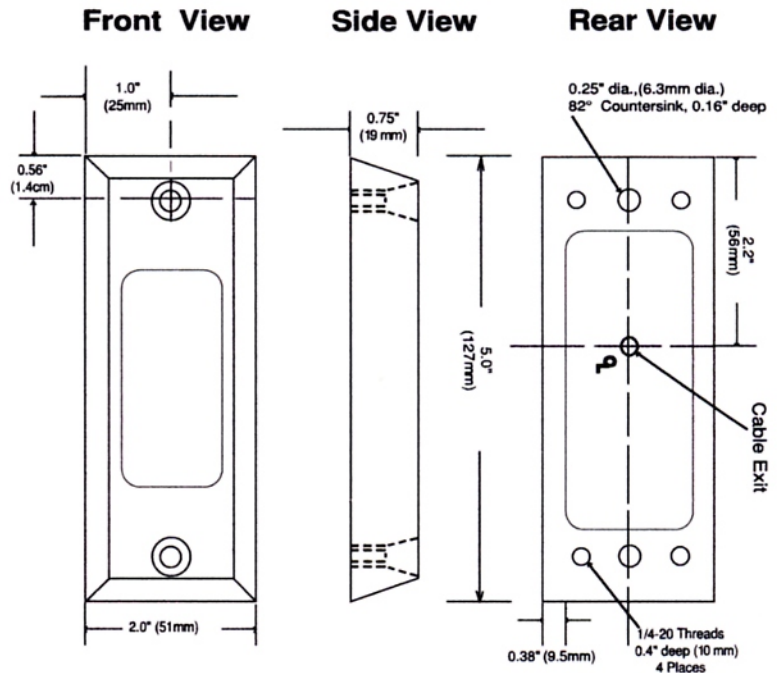
Stainless Steel

Material

Surround: Stainless Steel
Face: Fiber-Tex' (UL 752 listed)

Warranty

The MS-4000 carries a limited lifetime warranty against defects in materials and workmanship.



* Read range is stated in a clean RF and electrical environment using KC-10X Proximity Card presented parallel to reader surface with reader operating at 12VDC. The PKT-10X Key Tag is the preferred credential.

Specifications subject to change without notice.



ACCESS CARDS • ACCESS CONTROL SYSTEMS • CREDIT CARDS
EMBOSSING • I.D. BADGES • MEMBERSHIP CARDS

25010 Avenue Tibbitts • Valencia, California 91355 • (661)294-0796 (800)7000-KEE • Fax (661)294-9562