

Fingerprint & PIN Proximity Reader



FINGER006 FINGER006P FINGER006EX



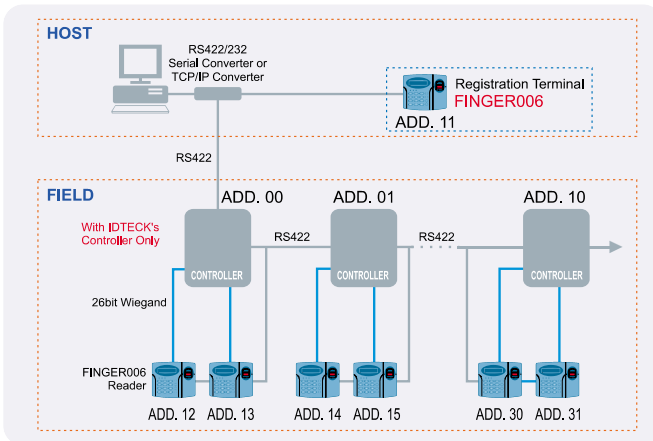
Key Features

- Proximity/PIN and Fingerprint Verification
- Stores up to 720/2,000/4,500 Fingerprints Automatic identification
- Fingerprint Automatch Identification
 - By Enter Key (Default)
 - By Touch Sensor (Optional)
- Dual Fingerprint Registration • Various Operating Mode
- Registration/verification mode selectable
- Network Communication via RS232/422/485 (Max. 256ch) and TCP/IP (External Converter Required)
- Fast Verification Time (less than 1 sec, 3 sec for auto match)
- Wiegand, ABA Track II Output
- High Protection from Scratch and ESD (Electro Static Discharge)

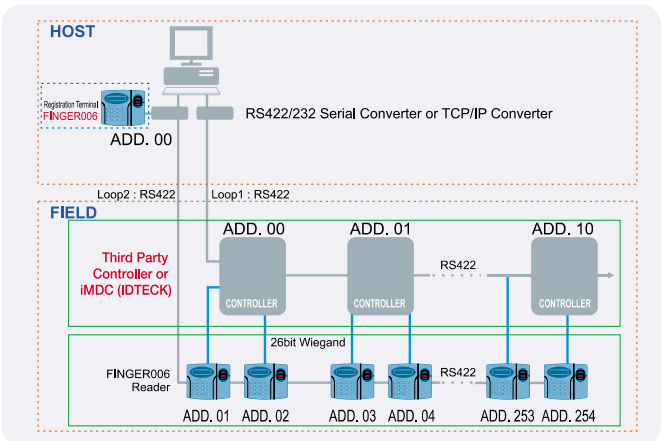
Comparison Table

FINGER006	Built-in 125KHz RF Reader (4"), LCD+Keypad, Back lighting on keypad RF(PIN) Only / RF+Fingerprint / RF + PIN (4 digit) + Fingerprint
FINGER006P	Built in LCD + Keypad, Back lighting on keypad PIN(4~8 digit) + Fingerprint
FINGER006EX	Built-in external reader port, 26bit wiegand, 8bit burst, ABA track II, LCD + Keypad, Back lighting on keypad

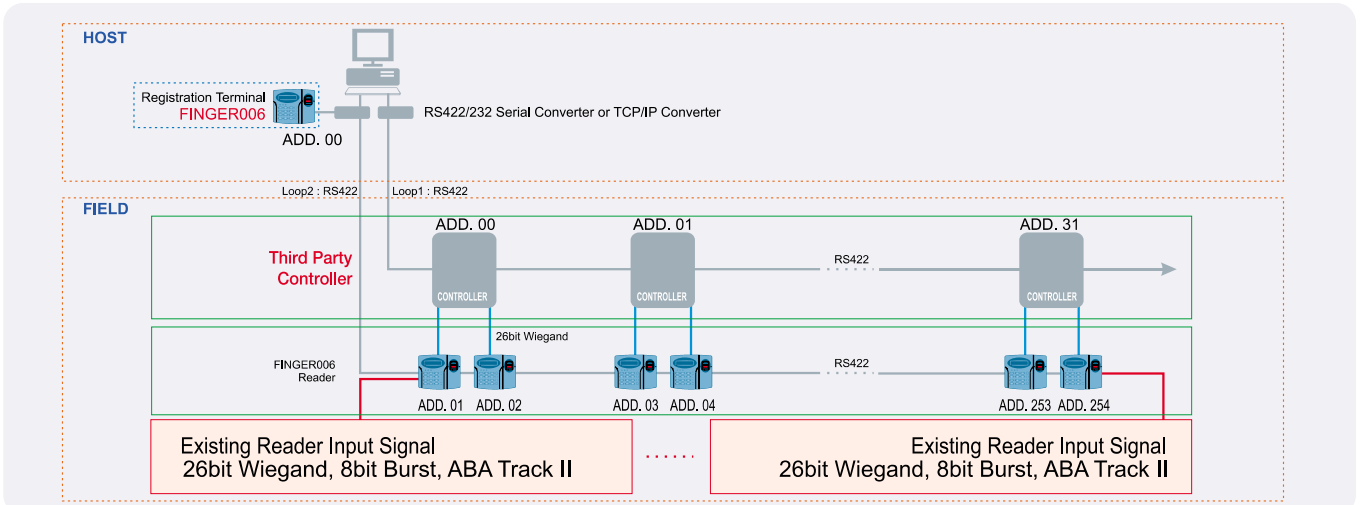
Single Communication Cables



New Installation



FINGER006EX with Existing Readers

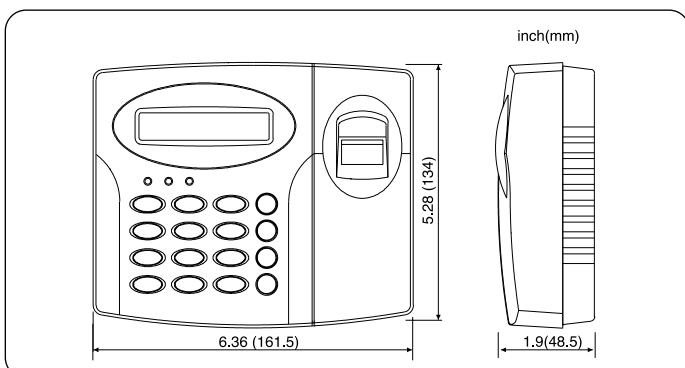




Specifications

CPU		32bit Strong ARM and Dual 8bit Microprocessor
Memory	Module	Program Memory: 8KByte ROM Data Memory: 128KByte/256KByte/512KByte Flash Memory
	Controller	Program Memory: 64KByte ROM Data Memory: 128KByte flash Memory
Read Range	IDC50	2 inch (5cm)
	IMC125	2 inch (5cm)
	IDC170	4 inch (10cm)
	IDC80	4 inch (10cm)
	IDA150	12 inch (30cm)
	IDA200	15 inch (40cm)
Fingerprint Templates		720/2,000/4,500 Fingerprint Templates
Template Size		800 Bytes
Verification Time		Less than 1 sec (Less than 3 sec for Auto Match)
Proximity Reader		Built-in 10cm Proximity Reader (125KHz)
External Reader Ports (FINGER006EX)		1 Reader Port(26 bit Wiegand, ABA Track II, 8 Bit Burst (Keypad))
Output		26 bit Wiegand, ABA Track II
Open Controller Output		Fingerprint Verification Error
Inputs		OK - Input, ERROR - Input
Communication Ports		Addressable RS422(Max. 256)/RS232 port / TCP/IP (External Converter required)
		Baud Rate : 4800bps, 9600bps (Default), 19200bps and 38400bps
LCD		1X Character LCD Module, 2 lineX16ch, 65.6mmX13.8mm
Keypad		16 Number numeric Keypad
Power		DC12V, Max. 300mA
Operating Environment		LCD : 0°C ~ +50°C, 10% ~90% RH(Non-Condensing)
		Fingerprint module & Controller : -15°C ~ +40°C, 10% ~90% RH(Non-Condensing)
		RF-Reader : -35°C ~ +65°C, 10% ~90% RH(Non-Condensing)
Dimension		161.5mm x 134mm x 48.5mm (6.36" x 5.28" x 1.9")

Dimensions



Ordering Information

Part number	Description
Finger006	Fingerprint Reader (720 users), Built in RF reader, LCD + Keypad
Finger006P	Fingerprint Reader (720 users), PIN+Finger only, Built-in LCD + Keypad
Finger006EX	Fingerprint(720 users) + External reader port Built-in LCD + Keypad

To the part number, add the suffix "-2" for 2,000 users and "-4" for 4,500 users.